

# Chanakya National Law University

Nyaya Nagar, Mithapur, Patna-800001, Tel. No. +91-612-2352300, Fax No. : +91 -612-2352315

Website: <https://www.cnlu.ac.in>, E-mail: [registrar@cnlu.ac.in](mailto:registrar@cnlu.ac.in)

NIQ No. -102/2025-26

Date: 23.03.2026

## SHORT Re-TENDER NOTICE

Through e-procurement mode only <https://eproc2.bihar.gov.in>

Chanakya National Law University invites E-Tender in two bid system (Technical and Financial) from the reputed bidders for Supply and Installation of Furniture Work (Desk) for Additional Classroom on 2<sup>nd</sup> Floor, Academic Building (Block-A) at CNLU, Patna.

1.	Name of the Work	:	Supply and Installation of Furniture Work (Desk) for Additional Classroom on 2 <sup>nd</sup> Floor, Academic Building (Block-A) at CNLU, Patna.
3.	Cost of Document (Non-Refundable)	:	<b>Rs. 10000/- (Rs. Ten Thousand) Only.</b>
4.	Earnest Money Deposit	:	<b>Rs. 200000/- (Rs. Two Lakhs Only)</b>
	E-Tender Processing Fee	:	As per Eproc2 website
6.	Time of Completion	:	30 Days
7.	Bid start Date	:	From 23.03.2026
8.	Date of Pre-bid meeting	:	30.03.2026 (Offline) at the Chamber of Registrar, CNLU, Patna at 03:00 pm.
9.	Last Date & Time for Uploading of bids	:	06.04.2026 till 02:00 pm.
10.	Date & Time of Opening of Technical Bids	:	06.04.2026 at 02:30 pm.
11.	Date & Time of Opening of Financial Bids	:	Will be intimated later
12.	Place of Opening of Bid	:	Registrar's Chamber
13.	Periods of Bids Validity	:	120 days
14.	Officer inviting Bids	:	The Registrar, CNLU, Patna.
15.	For participation in E-tendering proc. The contractor shall have to get themselves registered to get User ID, Password & Digital Signature. This will enable accessing the website <a href="https://eproc2.bihar.gov.in">https://eproc2.bihar.gov.in</a> & download / Participate in E-Tender.		
16.	The tender document can be obtained through our website <a href="https://eproc2.bihar.gov.in">https://eproc2.bihar.gov.in</a> & <a href="https://www.cnlu.ac.in">https://www.cnlu.ac.in</a>		
17.	(i) Bid Processing Fee to be paid through online mode i.e., Internet payment gateway (Credit/Debit Card), Net Banking, NEFT/ RTGS. (ii) Bids along with necessary online payments must be submitted through e-procurement portal <a href="https://eproc2.bihar.gov.in">https://eproc2.bihar.gov.in</a> before the date & time specified in the NIT. (iii) The department does not take any responsibilities for the delay /Non availability of internet connection, Network Traffic / Holidays or any other reasons."		
18.	Bid Document cost should be paid as per <a href="https://eproc2.bihar.gov.in">https://eproc2.bihar.gov.in</a>		
19.	Earnest Money Deposit (EMD) shall have to be paid through e-payment.		
20.	The authority shall have to right to reject the bid without assigning any reason what so ever. For any information department Contact No. 0612-2352300 may be used.		
21.	For queries and clarifications, if any send e-mail to <a href="mailto:registrar@cnlu.ac.in">registrar@cnlu.ac.in</a>		
22.	For support related to the e-tendering process, bidders may contact "e-procurement HELP DESK, mjunction services limited RJ Complex, 2 <sup>nd</sup> Floor, Canara Bank Campus, Khajpura, Ashiana Road, P.S. -Shastri Nagar, Patna-800014, Bihar, Contact No. 18005726571.		

# Chanakya National Law University

Nyaya Nagar, Mithapur, Patna-800001, Tel. No. +91-612-2352300, Fax No. : +91 -612-2352315

Website: <https://www.cnlu.ac.in>, E-mail: [registrar@cnlu.ac.in](mailto:registrar@cnlu.ac.in)

NIQ No. -102/2025-26

Date: 23.03.2026

## 1. Scope of work :

- i The scope of work will be as per the work description mentioned in Annexure-II.

## 2. Eligibility Criteria: Bidder having the below mentioned documents shall be eligible for participating in this tender. List of documents are as mentioned below:

- i Duly signed & stamped scan of document in which Name of the Firm, Address with contact number, FAX, E-mail of the Firm and Firm's Bank Account Details with Bank Name & Address and IFSC / RTGS codes mentioned.
- ii Scan copy must be registered with Govt. / State Govt. / Undertaking appropriate Class-I and Class-II with the above works / reputed manufacturer/ Dealers / Distributors of Furnitures.
- iii Scan of PAN card (in name of Proprietor in case of Proprietorship Firm) & GST certificate
- iv Scan of Affidavit as per Annexure-I.
- v) Scan copy of up-to-date Labour License.
- vi) Scan of EPF Certificate (Optional)
- vii) Scan of ESI Certificate (Optional)
- viii) Scan of valid Character certificate of bidder issued from office of the Superintendent of Police.
- ix) The tenderer must have completed single work of Rs. 50 Lakhs in (Wooden furniture.) work in Government / reputed Educational Organisations.
- x) Scan copy of completion certificate issued by Executive Engineer / Equivalent or above rank officer to be attached.
- xi) Scan of Experience Certificate in similar nature of work related to woodwork (furniture work) (Which should be issued by an officer of at least Executive Engineer rank of Works Department of State of Bihar or equivalent) or reputed educational organisation.
- xii) Scan copy of Annual Turnover any of the last three year duly certified by chartered Accountant. (Copy enclosed)
- xiii) Scan copy of details of engineering Set up.
- xiv) Scan copy of Plant and Equipment.
- xv) Scan copy of financial availability through bank of self.
- xvi) Scan copy of Income Tax Return of last three financial year i.e., 2021-22 to 2023-24.
- xvii) Scan of the receipt of deposit through NEFT / RTGS for EMD.
- xviii) Scan of the receipt of deposit through NEFT / RTGS for Cost of Document.
- xix) The Bidders must enclose specifications of furniture's proposed to be supplied by Bidders along with technical bid. The bidders must be ensure that they will supply furnitures as per specification desired by CNLU in as per Annexure-II

# Chanakya National Law University

Nyaya Nagar, Mithapur, Patna-800001, Tel. No. +91-612-2352300, Fax No. : +91 -612-2352315

Website: <https://www.cnl.u.ac.in>, E-mail: [registrar@cnlu.ac.in](mailto:registrar@cnlu.ac.in)

NIQ No. -102/2025-26

Date: 23.03.2026

### 3. Terms and Conditions:

- i) The successful bidder shall enter into the agreement on PWD Form F2 failing which on **Rs. 1,000.00 (Rupees One Thousand) non judicial stamp paper** within (10) **ten working days** from the **date of issue of work order**.
- ii) If the contractor shall desire any extension of the time for completion of the work, on the ground of his having been unavoidably hindered in its execution or on any other ground other than those mention in clause of F2 agreement, he shall apply in writing to Competent Authority within 40 days from the date of starting of the hindrance on account of which he desires such extension as aforesaid and the Competent Authority shall, if in his opinion (which shall be final) responsible grounds be shown thereof authorised such extension of the time, if any, as may in his opinion be necessary or proper.
- iii) If at any time after the commencement of the work the Government of Bihar shall for any reason whatsoever not required the whole thereof as specified in the tender to be carried out, the Competent Authority of CNLU shall give notice in writing of the fact to the contractor who shall have no claim to any payment of compensation whatsoever account of any profit, advantage, which he might have derived from execution to the work in full, but which he did not derive in consequence of the full amount of the work not having been carried out neither shall he have any claim for compensation by reason on any alteration having been made in the original specification, drawing, designs and instruction which shall involve any instalment of the works as originally contemplated clause 12 (a) as per F2 agreement.
  - a) The contractor shall not be entitled to claim any compensation for loss suffered by him on account of delay by or on behalf of the Government in the supply of materials as stores which the Government may have undertaking to supply where such failure is due to:
    - i) Natural calamities, (ii) act of enemies (iii) transport and procurement difficulties or (iv) circumstances beyond the control of the State Government.

In case of such failure in delay in supply of materials or stores on an application by the contractor within 30 days from the date of such failure or delay such extension of time shall be granted to the contractor for completion of the work as shall appears to the Engineer to be reasonable in accordance with circumstances of the case. The decision of the Competent Authority as to the extension of time shall be accepted as finally by the Contractor.
- iv) Tender document shall not be acceptable through post, courier or any offline mode. Interested bidders are advised to submit the bid only through our e-Tendering portal.
- v) Scanned documents as mentioned in Eligibility criteria is mandatory. Bidder should upload all the scan of genuine documents otherwise their technical bid shall be declared non-responsive.
- vi) Original document of Affidavit as per Annexure-I should be submitted by bidder during opening of Technical Bid.
- vii) Bidder or their authorised representative should remain present during the Pre-Bid meeting and at the time of opening of Technical Bid and bidders whose technical quotation is

# Chanakya National Law University

Nyaya Nagar, Mithapur, Patna-800001, Tel. No. +91-612-2352300, Fax No. : +91 -612-2352315

Website: <https://www.cnlu.ac.in>, E-mail: [registrar@cnlu.ac.in](mailto:registrar@cnlu.ac.in)

NIQ No. -102/2025-26

Date: 23.03.2026

- declared responsive should remain present at the time of opening of Financial Bid. No complaint shall be entertained on this count, if the tenderers are not present on these date and time.
- viii) The price will be remain firm and fixed during the pendency of contract. It will not vary on any account including revision of taxes, imposition of new tax or any contingency whatsoever.
  - ix) EMD Cost: **Rs. 200000/- (Rs. Two Lakhs)** and should be submitted through e-payment mode. Scan of the receipt of depository should be uploaded on our e-tendering portal while submitting the bid.
  - x) Cost of tender: **Rs. 10000/- (Rs. Ten Thousand)** and should be submitted through e-payment mode. Scan of the receipt of depository should be uploaded on our e-tendering portal while submitting the bid.
  - xi) Tender processing fee: As per Eproc2 website.
  - xii) Incomplete bid and bid without genuine documents are liable for rejection. No responsibility will be taken for any type of technical glitch while online submission of bid.
  - xiii) Notwithstanding anything to the contrary in this document, Chanakya National Law University is not bound to accept the lowest bid and reserves the right to accept or reject any bid, to reject bids for some or all items and to cancel the bidding process at any time prior to the award of contract, without assigning any reason whatsoever.
  - xiv) University will not provide any residential facility to workers / authorities of successful bidder inside campus. Firm will make temporary shade inside campus. Water and electrical facility for such shade will be chargeable.
  - xv) The work is required to be completed within the period mentioned against the works i.e. **within 30 days**. It will be reckoned from the date of the issue of work order after agreement. If the work is not completed within the stipulated completion period liquidated damages @ 0.5% of agreement value per day of delay will be levied (subject to maximum of 10%). If the liquidated damages reach the level of 10% the agreement value the contract is liable to be rescinded.
  - xvi) Work shall be done strictly as per specification and direction of competent authority of CNLU, Patna.
  - xvii) Any Suggestions/Clarifications may be put forth in the pre bid meeting or through written letter / e- mail to [registrar@cnlu.ac.in](mailto:registrar@cnlu.ac.in) up to 26.03.2026 till 03:00 pm.
  - xviii) Dispute, if any, will subject to Patna Jurisdiction only. The decision of Vice-Chancellor, CNLU will be final and binding with both the parties viz: bidder and the University.
  - xix) Price should be quoted in Indian Rupees only. The price will remain firm and fixed during the pendency of Contract and will not be changed for any reason (including revision of taxes & levies whatsoever).
  - xx) All labour laws & regulations are to be followed by the bidder.
  - xxi) The bidder shall be bound to follow the restriction on the movement of labour, materials imposed by any other authority connected with the site due to security or any other reasons connected with the event. No claim shall be entertained on this account.
  - xxii) The bidder shall take all precautions to avoid accidents by exhibiting necessary cautions boards, lights, flags etc. and ensure that no hindrance is caused to the traffic. Bidder shall be responsible for all damages, accidents, caused due to negligence.

# Chanakya National Law University

Nyaya Nagar, Mithapur, Patna-800001, Tel. No. +91-612-2352300, Fax No. : +91 -612-2352315

Website: <https://www.cnlu.ac.in>, E-mail: [registrar@cnlu.ac.in](mailto:registrar@cnlu.ac.in)

NIQ No. -102/2025-26

Date: 23.03.2026

- xxiii) The contractor shall arrange all tools and plants necessary for the execution of the work at his own cost. Any loss or damage in this case will be to his account.
- xxiv) Lowest responsive bidder will be considered on the total amount of bids of the respective work.
- xxv) The contractor under these contracts commits himself to use approved material (furniture) and assumes full responsibility for the quality of all materials incorporated or brought for incorporation in the work. The work shall be executed in accordance with best engineering practice and as per direction of competent authority of CNLU.
- xxvi) All the excavated materials including debris, loose earth etc., shall be carted away and disposed of as directed by competent authority of CNLU.
- xxvii) Technical officers/Staff deployed by the Contractor / Firm at construction site will also be responsible for inferior quality / Poor performance of any work and their names will be circulated to all works departments to debar them from any other site.
- xxviii) All the risks of loss of or damage to physical property and of personal injury and death which arise during and in consequence of the performance of the contract other than the expected risks will be the responsibility of the contractor/ firm.
- xxix) Any deviation in the material and the specifications from the accepted terms may liable to be rejected. The bidders need to supply all the goods in the specified form to the satisfaction / specifications specified in the order / contract and demonstrate at their own cost.
- xxx) Chanakya National Law University reserves the right to withdraw / cancel / amend the quotation at any stage without assigning any reason whatsoever.
- xxxi) Additional performance Guarantee is to be deposited as stipulated vide as per letter no.447(S) dated 16/01/2020 and 449(S) dated 16/01/2020 of Road Construction Department, Government of Bihar.

#### 4. Amendment of Bid Document:

- i) At any time prior to the last three days for receipt of bids, the Chanakya National Law University, Patna may for any reason, whether at its own initiative or in response to a clarification requested by a prospective Bidder, modify the Bid Document by an amendment.
- ii) The amendment will be notified through official website of Chanakya National Law University for all the prospective Bidders.
- iii) In order to afford prospective bidder reasonable time in which to take the amendment into account in preparing and submitting their bids online, the University may, at its discretion, extend the last date for the receipt of the bid.

#### 5. Payment Terms:

Payment will be released after the satisfactory report of competent authority for successful completion of work after necessary deduction as mentioned hereunder:

- i) **Applicable TDS** will be deducted from the bill of total amount without tax as per the provision of Government of India and certificate for the same will be issue,
- ii) **Applicable amount** will be deducted from total GST

# Chanakya National Law University

Nyaya Nagar, Mithapur, Patna-800001, Tel. No. +91-612-2352300, Fax No. : +91 -612-2352315

Website: <https://www.cnlu.ac.in>, E-mail: [registrar@cnlu.ac.in](mailto:registrar@cnlu.ac.in)

NIQ No. -102/2025-26

Date: 23.03.2026

## 6. Agreement and Performance Security:

- i) Successful bidder will be issued a letter of acceptance. After receipt successful bidder shall enter into the agreement on PWD Form F2 failing which on **Rs. 1,000.00 (Rupees One Thousand) non judicial stamp paper** within (10) **ten working days** from the **date of issue of work order**.
- ii) EMD shall be adjusted in amount of performance security. Successful bidder will deposit amount of performance security 3% of agreement value, in form of NEFT / RTGS / DD at the time of agreement. Thus, initial performance security will be @ 5% (**Five Percent**) of the agreement value along with additional performance as applicable balance 5% of performance security will be deducted from on account running bills. Performance Security will be refundable after 60 days of successful completion of defect liability period i.e., Two Years. No interest will be payable on the earnest money as well as Performance Security.

Thus balance 5% of security deposit will be deducted from on account running bills. The Security deposit will be refundable after **60 days of successful completion of defect liability period i.e., Five Years**. No interest will be payable on the earnest money as well as Security deposit.

The additional performance security deposit is applicable will be refunded after 60 days of successful completion of work.

## 7. Mandatory Technical Specification for all: As per Scope of Work (Annexure-II)

**In case of manufacturer of its OEM they must possess following certificates / Test Reports on the date of bid submission (to be uploaded with bid) else bid will be rejected: ISO 9001-2015, ISO 14001-2015, ISO 45001 – 2018, ISO 50001-2018, ISO 13485:2016 (all ISO certificates must be from NABCB accredited Agency) GRIHA, BIFMA Website to be attached, BIAFMA LEVEL-2, Product Specific Green Guard Certificate by U/L (Underwriter Laboratories) AIOTA Certificate, IGBC Platinum, BIS Certificate Product Test Report, MII Certificate Data Sheet, Line Diagram, Indoor Advantage System Certificate.**

**Registrar  
CNLU, Patna**

# Chanakya National Law University

Nyaya Nagar, Mithapur, Patna-800001, Tel. No. +91-612-2352300, Fax No. : +91 -612-2352315

Website: <https://www.cnlu.ac.in>, E-mail: [registrar@cnlu.ac.in](mailto:registrar@cnlu.ac.in)

NIQ No. -102/2025-26

Date: 23.03.2026

## Annexure-I

I / we declare

### Declaration by Quotationer on a non-judicial stamp paper of value Rs. 100/-

That my/our company namely

.....  
has not been blacklisted by any Government / Non-Government Organisation nor should have any litigation enquiry pending and / or initiated by any of these Department or Court of Law with regards to the works executed by our company since incorporation. No FIR has been lodged against us. that all the terms & conditions, scope of work & eligibility criteria of NIQ No. 102/2025-26 dated 23.03.2026 are acceptable to me / us. that the documents annexed along-with the quotation are genuine and not tampered by me / us while copying. If my / our declaration above found fake or forged then:

- i. my quotation document shall be rejected
- ii. Letter of Intent / Purchase Order / Agreement, if issued, shall be cancelled and
- iii. FIR shall be inflicted against my / our company / firm by the University and the firm / bidder / tenderer shall be blacklisted.
- iv. No Relation Certificate.

Signature of the Quotationer / Authorized Signatory (Name & Designation) Seal of the Quotationer

**Place:**

**Date:**

# Chanakya National Law University

Nyaya Nagar, Mithapur, Patna-800001, Tel. No. +91-612-2352300, Fax No. : +91 -612-2352315

Website: <https://www.cnl.u.ac.in>, E-mail: [registrar@cnlu.ac.in](mailto:registrar@cnlu.ac.in)

NIQ No. -102/2025-26

Date: 23.03.2026

SL. No.	ITEM DESCRIPTIONS				
Name of Work	<b>Supply and Installation of Furniture Work (Desk) for Additional Classroom on 2<sup>nd</sup> Floor, Academic Building (Block-A) at CNLU, Patna.</b>				
1.	<p>Under structure is made with steel ERW tube section (IS:7138) of size 80 × 40 × 2.5 mm thick with epoxy-based powder coat finish with thickness of 50 microns (+-10). Understructure consists of two welded leg assemblies connected by means of welded seat side tube assembly. Sturdy anchoring by anchor bolts on to base of 10 mm thick plate for proper resting of structure. Plastic clad &amp; shoe main clad made of glass filled 30% nylon-6 for covering anchor bolts.</p> <p><b>Side Clads:</b> Side clad is made of 36 mm thick (18 + 18 OSR cold pressed board) with 2 mm thick pvc lipping.</p> <p><b>Desk System:</b> Desk panel is made up of 18 mm thick PLT with 2 mm pvc lipping all over. Desk has depth of 415 mm with provision of switch plate mounting. Desk is of fixed type.</p> <p><b>Shelf System:</b> Shelf panel is made up of 18 mm thick PLT with 2 mm lipping all over. Shelf has depth of 240 mm. Shelf is not provided in case of rear module.</p> <p><b>Modesty Panel:</b> Modesty panel is made up of 18 mm Thick PLT with 2 mm pvc lipping all over. Modesty panel has height of 438 mm.</p> <p><b>Back Panel:</b> Back panel is made up of 18 mm thick PLT with 2 mm pvc lipping all over. Back panel is without cushion.</p> <p><b>Seat:</b> Seat under structure is a combination of welded fabricated structure made of Ø 19 × 2 mm thick ERW tube (is: 7138) with epoxy-based powder coat finish which is covered by 0.8 mm thick sheet metal cover and upholstered with moulded foam inside and leatherite cover. Seat can be folded up to free up space by the user i.e., seat need to be closed by user after use.</p> <p><b>Wire Carrier:</b> Wire carrier is made of 0.8 mm thick sheet metal for holding wire passing. Wires can be only routed through the specified individual modules but cannot be passed through multiple modules and the wiring is to be terminated at individual module.</p> <p><b>Switch Plate:</b> Switch plate is made of 2 mm sheet metal for switch plate mounting suitable for anchor roma plates. Switch plate is suitable for 6 modules Anchor Roma / Havells Treas (Code: 30250H)</p>				
Sl. No.	Desk details Module and size	Qty.	Unit	Rate	Amount
1.	Two-Seater module Size: 1378mm Length, 528mm Depth, 890mm Height, 438mm Height Modesty Panel	16	Each		
2.	Three-Seater module Size: 2048mm Length, 528mm Depth, 890mm Height, 438mm Height Modesty Panel	24	Each		
3.	Four-Seater module Size: 2720mm Length, 528mm Depth, 890mm Height, 438mm Height Modesty Panel	52	Each		
4.	<b>Installation Charges</b>				
	<b>GST as applicable</b>				
	<b>Total Amount</b>				

Registrar

# Chanakya National Law University

Nyaya Nagar, Mithapur, Patna-800001, Tel. No. +91-612-2352300, Fax No. : +91 -612-2352315

Website: <https://www.cnlul.ac.in>, E-mail: [registrar@cnlu.ac.in](mailto:registrar@cnlu.ac.in)

NIQ No. -102/2025-26

Date: 23.03.2026

## Annexure-II

NAME OF WORK :-

TECHNICAL BID EVALUATION SHEET  
Chanakya National Law University, Patna

S/N	PARTICULARS	LAD DOWN CRITERIA AS PER NIT CONDITION	FULL MARKS	EVALUATION CRITERIA	FIRST BIDDER			SECOND BIDDER			THIRD BIDDER							
					PAGE	MARKS OBTAINED	REMARKS	PAGE	MARKS OBTAINED	REMARKS	PAGE	MARKS OBTAINED	REMARKS					
A	Name and address of agency																	
B	Registration no. & department	Agency must be registered with Govt/State Govt (Understamps)																
C	Site or VAT/ST clearance of cost of labor	Must possess valid and VAT certificate as per the clearance																
D	Insurance Tax clearance	Must quote FAN/NA																
E	Financial Merit	In the form as specified in NIT and required amount																
F	Charater Certificate	Must Posses Character Certificate																
G	The production of financial proposal to be applied by bidders must comply with the requirement of CNLU as mentioned in Annexure-II																	
<p>Note:- The bidders should necessarily be responsive on above mentioned six items A to G. The bidders found non-responsive in any one of the above mentioned six items will not be considered for further markings &amp; their Bid will be rejected.</p>																		
<b>MARKING DETAILS</b>																		
S/N	PARTICULARS	LAD DOWN CRITERIA AS PER NIT CONDITION	FULL MARKS	EVALUATION CRITERIA														
1	Average annual financial turn over of the bidder (AATO) must be declared as per norms of bidding documents)	Schedule A/T/O of Chartered accountant for last three years	30	(i) AATO equal to or above 100Q amount-30 (ii) AATO equal to or above 70% of 100Q amount-20 (iii) AATO equal to or above 50% of 100Q amount-15 (iv) AATO equal to or above 40% of 100Q amount-10 (v) AATO equal to or above 25% but below 40% of 100Q amount-5 (vi) AATO below 25% of 100Q Average A/T/O after deduction														
2	Experience of doing work of similar nature	Must submit details of work done duly certified by the concerned IIT.	30	(i) If executed single work of similar nature equal to 75% of BOQ amount-30 (ii) If executed single work of similar nature equal to 40% of BOQ Amount-15 (iii) If executed single work of similar nature equal to 25% of BOQ amount-10 (iv) If executed single work of similar nature below 25% of BOQ amount-5														

# Chanakya National Law University

Nyaya Nagar, Mithapur, Patna-800001, Tel. No. +91-612-2352300, Fax No. : +91 -612-2352315

Website: <https://www.cnlul.ac.in>, E-mail: [registrar@cnlu.ac.in](mailto:registrar@cnlu.ac.in)

NIQ No. -102/2025-26

Date: 23.03.2026

Sl. No.	PARTICULARS	LAID DOWN CRITERIA AS PER NIT CONDITION	FULL MARKS	EVALUATION CRITERIA	FIRST BIDDER		SECOND BIDDER		THIRD BIDDER	
					PAGE	MARKS OBTAINED	REMARKS	PAGE	MARKS OBTAINED	REMARKS
3	Details of Engineering design and execution of work	Kater submit details Engg. Design with structural details of engineer.	10	1) If eng design with one page and one structural detail of one bidder will - 5/10 2) If eng design with two page and one structural detail of one bidder will - 10/10						
4	Details of financial availability through bank or self	Bank certificate of extending credit facility up to 10% of BQO amount	10	1) If bank certificate given by Indian bank upto 10% of BQO amount - 05 2) Self declaration - 05						
5	Necessary undertakings	Agency should furnish the following undertakings: (i) Not abandoned project (ii) No retention (iii) No retention	5	(i) No Self declaration - 04 (ii) Not abandoned any project - 03 (iii) No litigation - 01 (iv) No retention - 01 (v) No retention - 01 (vi) Not submitted any certificate - 01 (vii) If more than or equal to BQO amount - 10						
7	Building equipment, PC-A, PC-2, B after indication. B - 10% of work in hand/Existing commitment. N - 10% of completion	Kater holding statements with details	10	1) If B more than or equal to 70% of BQO amount - 5 2) If B more than or equal to 50% of BQO amount - 3 3) If B below 50% of BQO amount - 1 4) If three or more than three projects executed in stipulated time during last five year - 05 5) If less than three projects executed in stipulated time during last five year - 05 6) If no project executed in stipulated time during last five year - 05						
8	Timely completion of project	Actual certificate of the concern E.E.	5							
<b>Total</b>			<b>100</b>							
<b>Remark</b>										

Note: (i) Minimum qualifying marks = 50/100 for project like Akshata or Zolukha

# Chanakya National Law University

Nyaya Nagar, Mithapur, Patna-800001, Tel. No. +91-612-2352300, Fax No. : +91 -612-2352315

Website: <https://www.cnl.u.ac.in>, E-mail: [registrar@cnlu.ac.in](mailto:registrar@cnlu.ac.in)

NIQ No. -102/2025-26

Date: 23.03.2026

## Annexure-III

### FINANCIAL BID

Name of Work	Supply and Installation of Furniture Work (Desk) for Additional Classroom on 2 <sup>nd</sup> Floor, Academic Building (Block-A) at CNLU, Patna.				
SL. No.	ITEM DESCRIPTIONS				
1.	<p>Under structure is made with steel ERW tube section (IS:7138) of size 80 × 40 × 2.5 mm thick with epoxy-based powder coat finish with thickness of 50 microns (+10). Understructure consists of two welded leg assemblies connected by means of welded seat side tube assembly. Sturdy anchoring by anchor bolts on to base of 10 mm thick plate for proper resting of structure. Plastic clad &amp; shoe main clad made of glass filled 30% nylon-6 for covering anchor bolts.</p> <p><b>Side Clads:</b> Side clad is made of 36 mm thick (18 + 18 OSR cold pressed board) with 2 mm thick pvc lipping.</p> <p><b>Desk System:</b> Desk panel is made up of 18 mm thick PLT with 2 mm pvc lipping all over. Desk has depth of 415 mm with provision of switch plate mounting. Desk is of fixed type.</p> <p><b>Shelf System:</b> Shelf panel is made up of 18 mm thick PLT with 2 mm lipping all over. Shelf has depth of 240 mm. Shelf is not provided in case of rear module.</p> <p><b>Modesty Panel:</b> Modesty panel is made up of 18 mm Thick PLT with 2 mm pvc lipping all over. Modesty panel has height of 438 mm.</p> <p><b>Back Panel:</b> Back panel is made up of 18 mm thick PLT with 2 mm pvc lipping all over. Back panel is without cushion.</p> <p><b>Seat:</b> Seat under structure is a combination of welded fabricated structure made of Ø 19 × 2 mm thick ERW tube (is: 7138) with epoxy-based powder coat finish which is covered by 0.8 mm thick sheet metal cover and upholstered with moulded foam inside and leatherite cover. Seat can be folded up to free up space by the user i.e., seat need to be closed by user after use.</p> <p><b>Wire Carrier:</b> Wire carrier is made of 0.8 mm thick sheet metal for holding wire passing. Wires can be only routed through the specified individual modules but cannot be passed through multiple modules and the wiring is to be terminated at individual module.</p> <p><b>Switch Plate:</b> Switch plate is made of 2 mm sheet metal for switch plate mounting suitable for anchor roma plates. Switch plate is suitable for 6 modules Anchor Roma / Havells Treas (Code: 30250H)</p>				
Sl. No.	Desk details Module and size	Qty.	Unit	Rate	Amount
1.	Two-Seater module Size: 1378mm Length, 528mm Depth, 890mm Height, 438mm Height Modesty Panel	16	Each		
2.	Three-Seater module Size: 2048mm Length, 528mm Depth, 890mm Height, 438mm Height Modesty Panel	24	Each		
3.	Four-Seater module Size: 2720mm Length, 528mm Depth, 890mm Height, 438mm Height Modesty Panel	52	Each		
4.	<b>Installation Charges</b>				
	<b>GST as applicable</b>				
	<b>Total Amount</b>				

Seal & Signature of the Bidder

# Chanakya National Law University

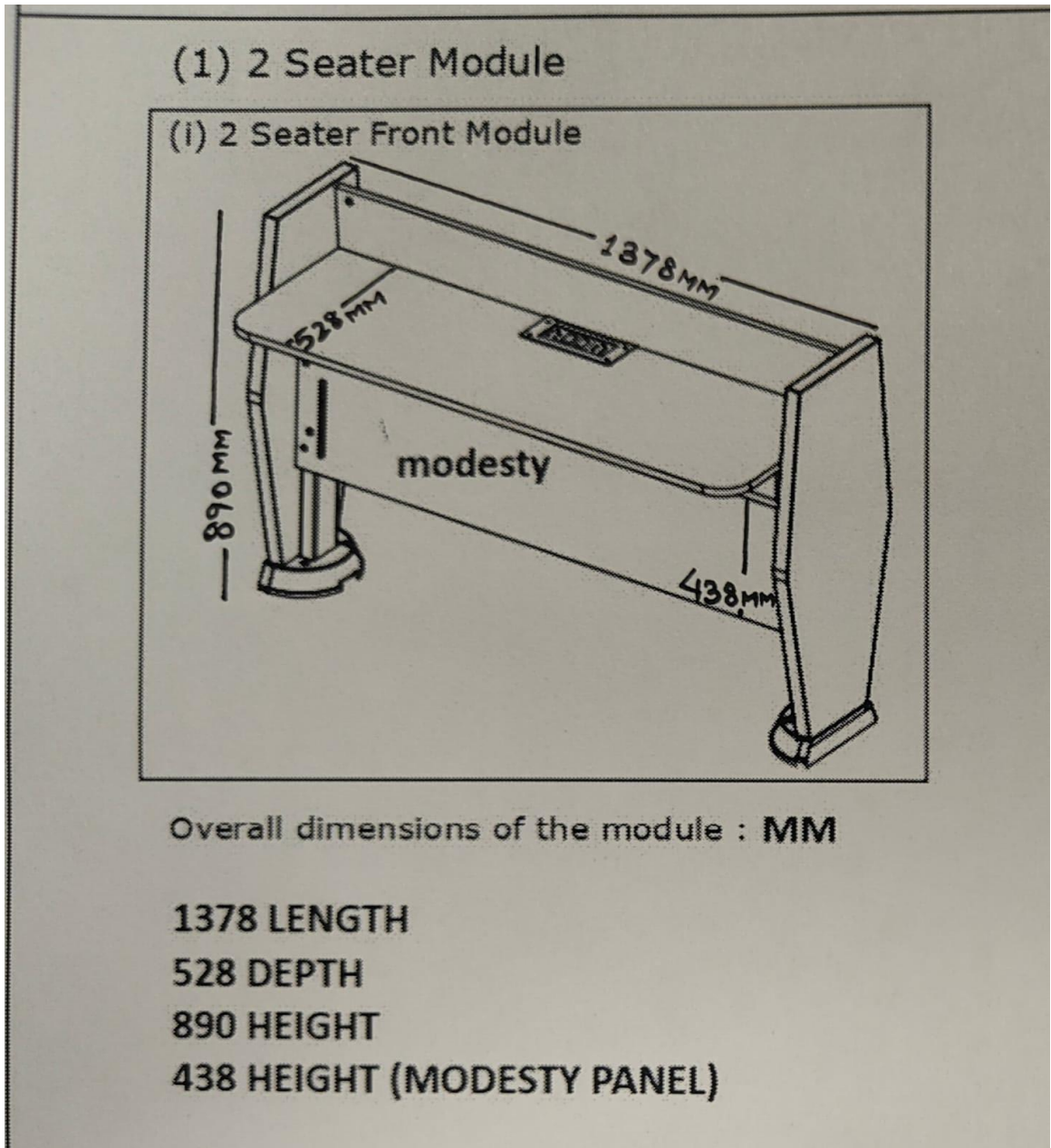
Nyaya Nagar, Mithapur, Patna-800001, Tel. No. +91-612-2352300, Fax No. : +91 -612-2352315

Website: <https://www.cnlu.ac.in>, E-mail: [registrar@cnlu.ac.in](mailto:registrar@cnlu.ac.in)

NIQ No. -102/2025-26

Date: 23.03.2026

## LINE DIAGRAM



# Chanakya National Law University

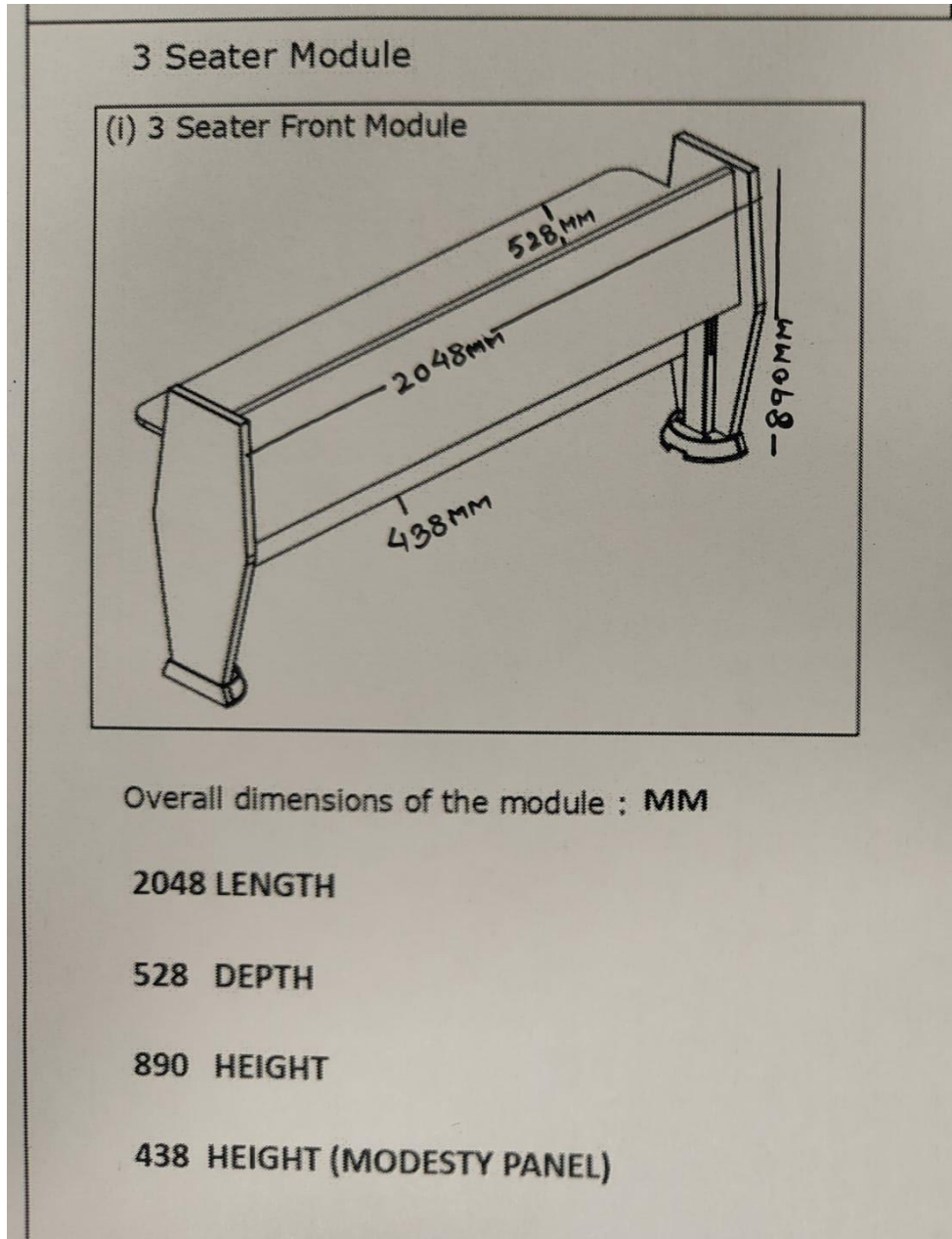
Nyaya Nagar, Mithapur, Patna-800001, Tel. No. +91-612-2352300, Fax No. : +91 -612-2352315

Website: <https://www.cnlul.ac.in>, E-mail: [registrar@cnlu.ac.in](mailto:registrar@cnlu.ac.in)

NIQ No. -102/2025-26

Date: 23.03.2026

## LINE DIAGRAM



# Chanakya National Law University

Nyaya Nagar, Mithapur, Patna-800001, Tel. No. +91-612-2352300, Fax No. : +91 -612-2352315

Website: <https://www.cnl.u.ac.in>, E-mail: [registrar@cnlu.ac.in](mailto:registrar@cnlu.ac.in)

NIQ No. -102/2025-26

Date: 23.03.2026

## LINE DIAGRAM

